

www.saharame.com

Complete Profile for Valves



CONTENTS



➤ Butterfly Valve	
Concentric Butterfly Valve	04
Double Flanged Butterfly Valve	08
Double Eccentric Butterfly Valve	10
Other Types of Butterfly Valves	11
➤ Check Valve	
Wafer Type Dual Plate Check Valve	12
Swing Check Valve	13
Lift Check Valve	14
API Check Valve	15
Other Types of Check Valves	16
➤ Gate Valve	
Non-rising Stem Resilient Seated Gate Valve	17
Non-rising Stem Metal Seated Gate Valve	18
Rising Stem Solid Wedge Gate Valve	19
Socket Ends Non-rising Stem Resilient Seated Gate Valve	20
API Gate Valve	21
Other Types of Gate Valves	22
➤ Globe Valve	
DIN Globe Valve	23
API Globe Valve	24
Other Types of Globe Valves	24
➤ Ball Valve	
API Ball Valve	25
Other Types of Ball Valves	26
➤ Strainer	
Y Strainer	27
➤ Air Valve	
Automatic Air Valve Double Ball & Single Ball Type	28
➤ Other Types of Valves	28
➤ How To Order	29



Concentric Butterfly Valve

Technical Data

Size	DN40-DN1200
General Design	ISO 5752 / BS 5155 / API 609
Mounting Pad	ISO 5211
Face to Face	API 609 / EN 558-1 20 series, etc.
Flange Drilling	DIN 2501 PN10 / 16
Inspection and Test	API 598

*For all available general design, face to face standard and flange drilling, please kindly contact CNBM directly.

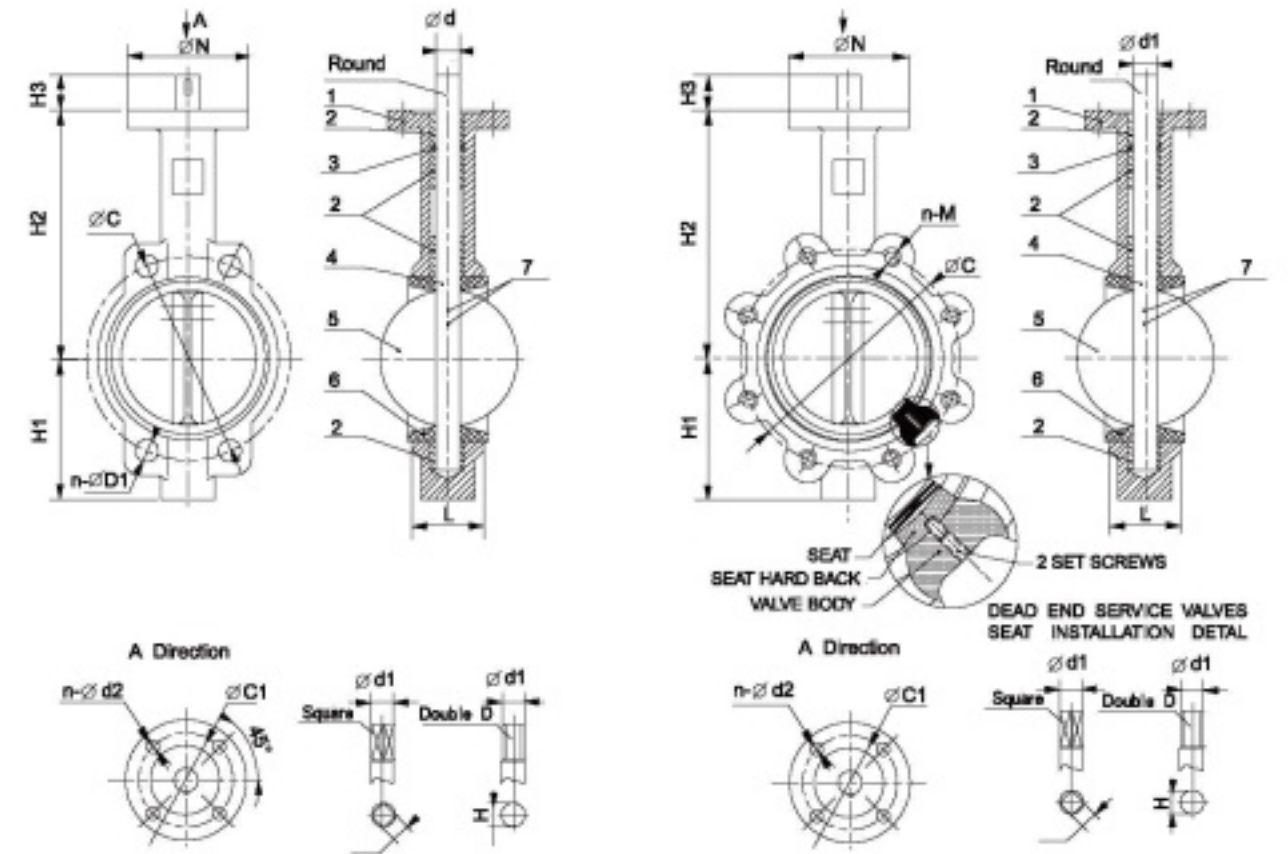
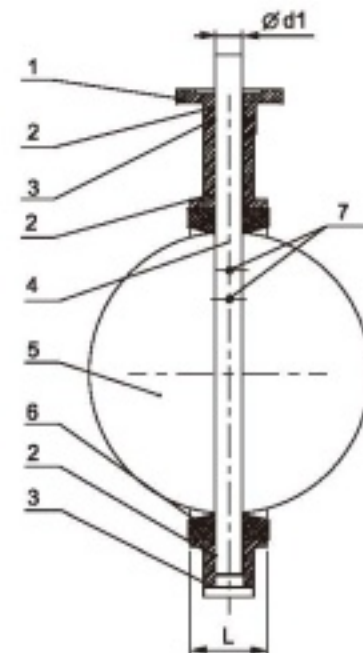
Product Features

- Wafer, Lug or U type flanged body style fit between FF or RF flanges
- PTFE bushing ensure the maximum shaft support and centralized alignment
- 360° polished disc assures positive on-off
- Hard-backed Cartridge seat or Edge-boot seat
- The pipeline or square connection are all available
- Universal ISO 5211 mounting pad

Materials of Parts

Parts	Description	Material
1	Body	Cast Iron / Ductile Iron / WCB
2	Bushing	PTFE / Bronze
3	O-ring	EPDM / NBR
4	Shaft	Stainless Steel
5	Disc	Stainless Steel / Al-bronze / Ductile Iron
6	Seat	EPDM / NBR / VITON / PTFE
7	Pin	Stainless Steel

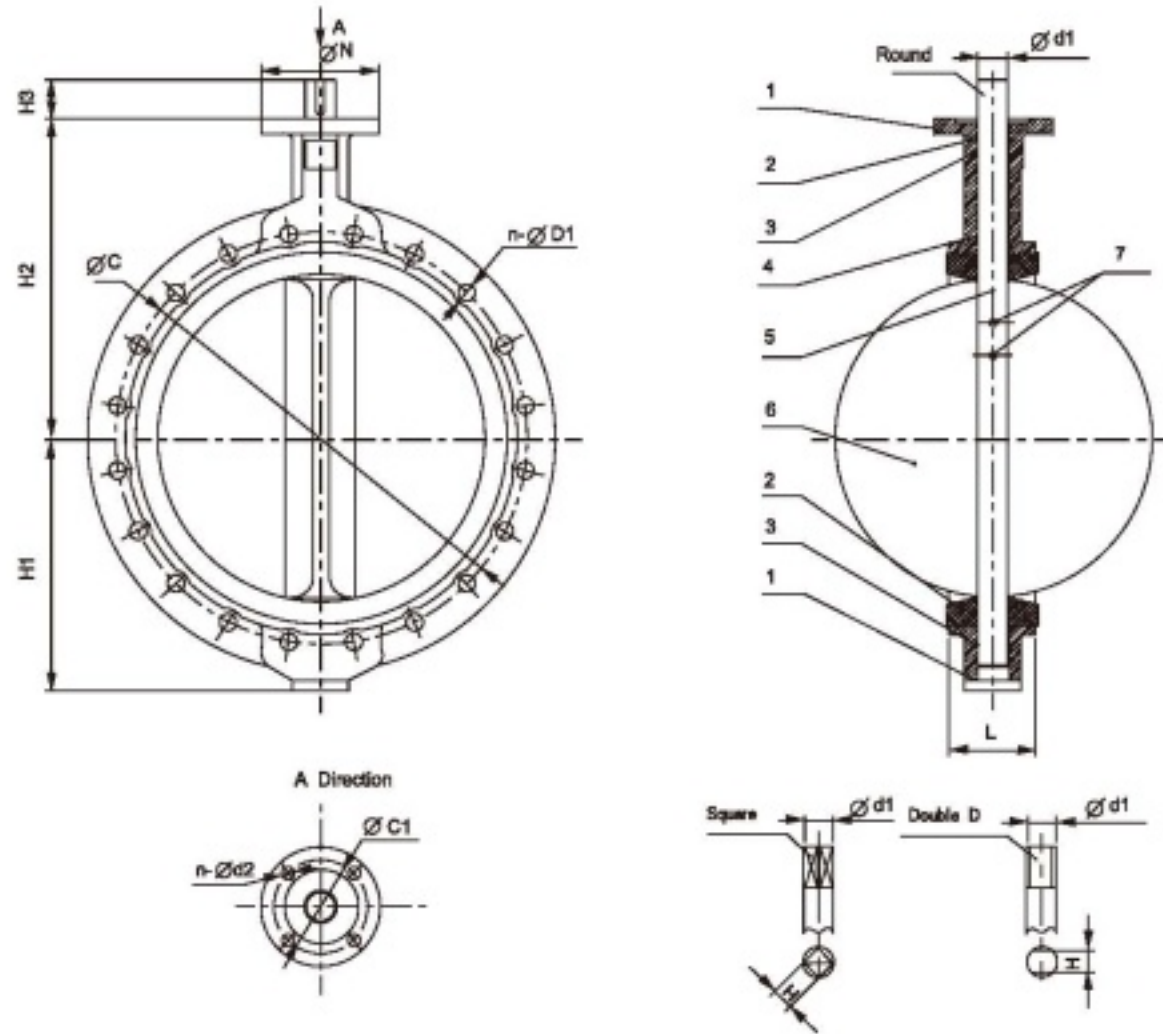
*For other material request, please kindly contact CNBM directly.



Dimensions(mm)

Size		L	H1	H2	H3	øC	n-øD1	n-M	Flange No	øN	øC1	n-ød2	Round Square / Double D		
DN	NPS												ød1	ød1	H
40	1-1/2"	33	68	139	30	110	4-18	4-M16	F05	65	50	4-8	12.6	12.1	9
50	2"	43	80	161	30	125	4-18	4-M16	F05	65	50	4-8	12.6	12.1	9
65	2-1/2"	46	89	175	30	145	4-18	4-M16	F05	65	50	4-8	12.6	12.1	9
80	3"	46	95	181	30	160	8-18	8-M16	F05	65	50	4-8	12.6	12.1	9
100	4"	52	114	200	30	180	8-18	8-M16	F07	90	70	4-10	15.77	12.1	11
125	5"	56	127	213	30	210	8-18	8-M16	F07	90	70	4-10	18.92	14.1	14
150	6"	56	139	226	30	240	8-22	8-M20	F07	90	70	4-10	18.92	18.1	14
200	8"	60	175	260	37	295	12-22	12-M20	F10	125	102	4-12	22.1	18.1	17
250	10"	68	203	292	37	355	12-26	12-M24	F10	125	102	4-12	28.45	22.1	22
300	12"	78	242	337	37	410	12-26	12-M24	F10	125	102	4-12	31.6	28.2	22
350	14"	78	267	368	45	470	16-26	16-M24	F10	125	102	4-12	31.6	28.2	22
400	16"	102	298.6	400	51.2	525	16-30	16-M27	F14	175	140	4-18	33.15	28.2	22
450	18"	114	318	422	51.2	585	20-30	20-M27	F14	175	140	4-18	38	36.2	27
500	20"	127	355	480	64.2	650	20-33	20-M30	F14	175	140	4-18	41.15	36.2	27
600	24"	154	464	552	70.2	770	20-36	20-M33	F16	210	165	4-22	50.65	48.2	36

*For special stem head dimensions, please kindly contact CNBM directly.

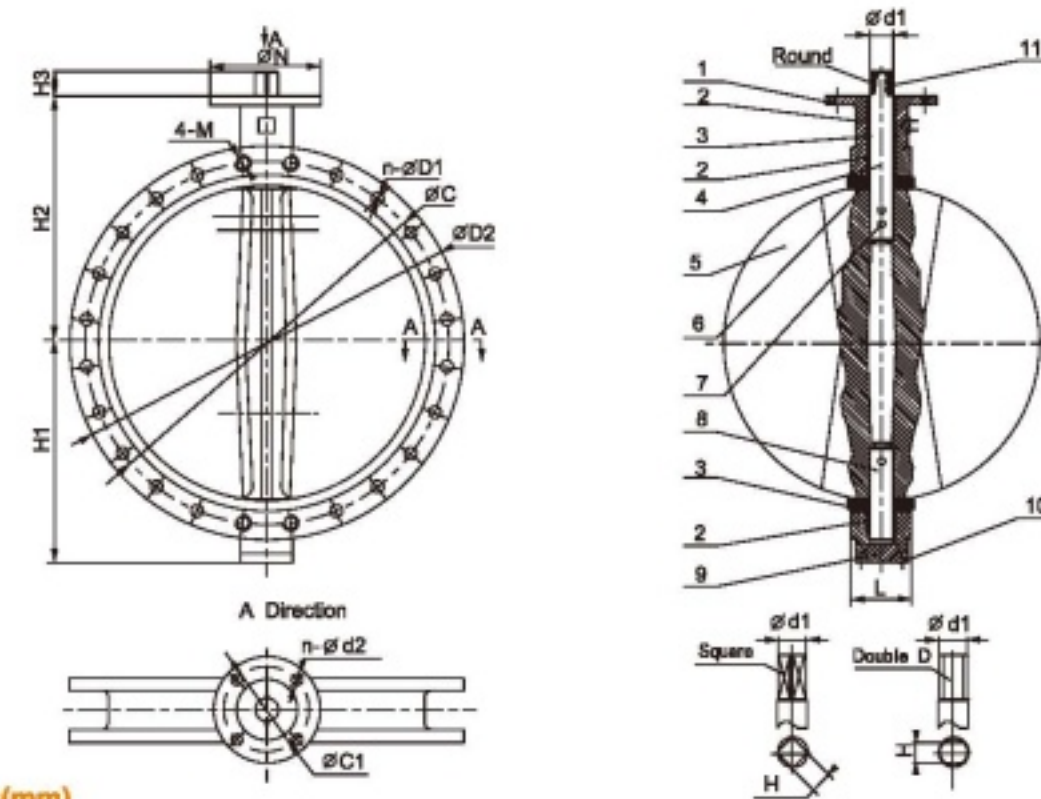


Dimensions(mm)

Size		L	H1	H2	H3	ØC	n-ØD1	Flange No	ØN	ØC1	n-Ød2	Round Square / Double D		
DN	NPS											Ød1	Ød1	H
700	28"	165	505	624	66	840	24-30	F25	300	254	8-18	55	60.2	46
750	30"	166	499	646	66	900	24-33	F25	300	254	8-18	55	60.2	46
800	32"	190	576	672	66	950	24-33	F25	300	254	8-18	55	60.2	46
900	36"	203	637	720	118	1050	28-33	F25	300	254	8-18	75	72.2	55
1000	40"	216	701	800	142	1160	28-36	F25	300	254	8-18	85	72.2	55
1200	48"	254	844	940	150	1380	32-39	F30	350	298	8-22	105	/	/

*For special stem head dimensions, please kindly contact CNBM directly.

U type



Dimensions(mm)

Size		L	H1	H2	H3	ØD2	DIN2501 PN16		4-M	Flange No	ØN	ØC1	n-Ød2	Round Square / Double D		
DN	NPS						ØC	n-ØD1						Ød1	Ød1	H
40	1-1/2"	33	75	139	30	150	110	4-18	/	F05	65	50	4-8	12.6	12.1	9
50	2"	43	83	161	30	165	125	4-18	/	F05	65	50	4-8	12.6	12.1	9
65	2-1/2"	46	93	175	30	185	145	4-18	/	F05	65	50	4-8	12.6	12.1	9
80	3"	46	100	181	30	200	160	8-18	/	F05	65	50	4-8	12.6	12.1	9
100	4"	52	110	200	30	220	180	8-18	/	F07	90	70	4-10	15.77	12.1	11
125	5"	56	125	213	30	260	210	8-18	/	F07	90	70	4-10	18.92	14.1	14
150	6"	56	143	226	30	295	240	8-22	/	F07	90	70	4-10	18.92	18.1	14
200	8"	60	170	260	37	340	295	12-22	/	F10	125	102	4-12	22.1	18.1	17
250	10"	68	203	292	37	417	355	12-26	/	F10	125	102	4-12	28.45	28.2	22
300	12"	78	230	337	37	468	410	12-26	/	F10	125	102	4-12	31.6	28.2	22
350	14"	78	260	368	45	525	470	16-26	/	F10	125	102	4-12	31.6	28.2	22
400	16"	102	290	400	51.2	585	525	16-30	/	F14	175	140	4-18	33.15	28.2	22
450	18"	114	320	422	51.2	648	585	20-30	/	F14	175	140	4-18	38	36.2	27
500	20"	127	356	480	64.2	715	650	20-33	/	F14	175	140	4-18	41.15	36.2	27
600	24"	154	420	562	70.2	840	770	20-36	/	F16	210	165	4-22	50.65	48.2	36

Size		L	H1	H2	H3	ØD2	DIN2501 PN10		4-M	Flange No	ØN	ØC1	n-Ød2	Round Square / Double D		
DN	NPS						ØC	n-ØD1						Ød1	Ød1	H
700	28"	165	512	629	66	927.1	840	24-30	4-1 1/4	F25	300	254	8-18	55	60.2	46
750	30"	166	560	660	66	984	900	24-33	4-1 1/4	F25	300	254	8-18	55	60.2	46
800	32"	190	576	666	66	1060.4	950	24-33	4-1 1/2	F25	300	254	8-18	55	60.2	46
900	36"	203	656	720	118	1151	1050	28-33	4-1 1/2	F25	300	254	8-18	75	72.2	55
1000	40"	216	700	800	142	1168	1170	28-36	4-1 1/2	F25	300	254	8-18	85	72.2	55
1200	48"	254	864	940.7	150	1289.05	1390	32-39	4-1 1/2	F30	350	298	8-22	105	/	/

*For special stem head dimensions, please kindly contact CNBM directly.

Double Flanged Butterfly Valve

Technical Data

Size	DN50-DN1200
General Design	ISO 5752 / BS 5155 / EN 1092
Mounting Pad	ISO 5211
Face to Face	BS 5155 / EN 558-1 13 series, etc.
Flange Drilling	DIN 2501 PN10 / 16
Inspection and Test	API 698

*For all available general design, face to face standard and flange drilling, please kindly contact CNBM directly.

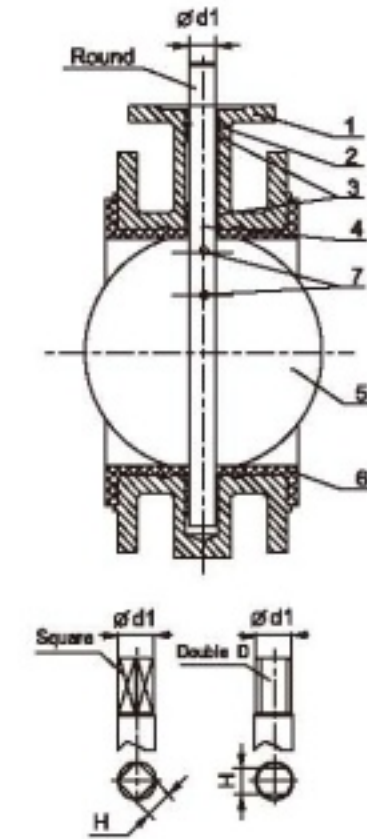
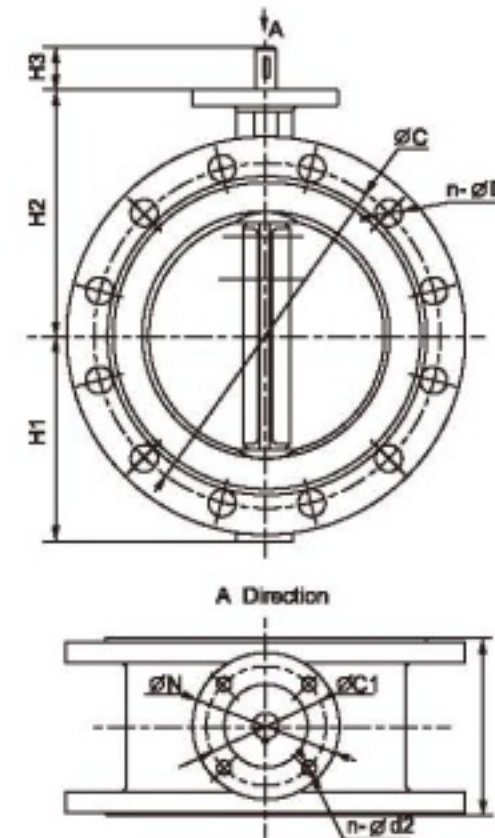
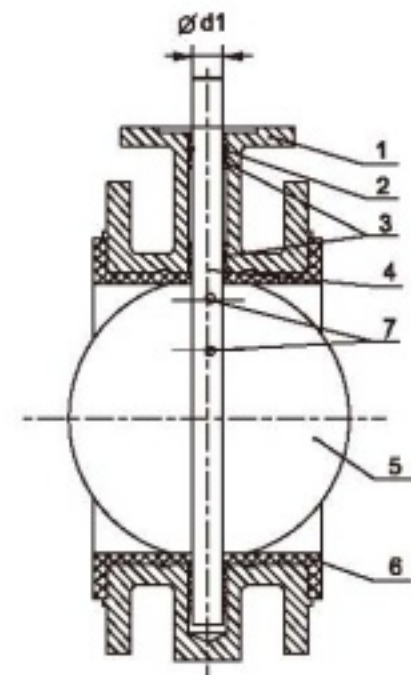
Product Features

- Double flanged style fits between FF or RF flanges
- High strength body and large safety factor ensure the body can resist high pipe pressure
- Overall vulcanization liner with good performance of resisting tearing apart and deformation
- Pin connection one piece shaft with the features of counter bending and simple reliable structure
- Universal ISO 5211 mounting pad

Materials of Parts

Parts	Description	Material
1	Body	Cast Iron / Ductile Iron
2	O-ring	EPDM / NBR
3	Bushing	PTFE / Bronze
4	Shaft	Stainless Steel
5	Disc	Stainless Steel / Ductile Iron
6	Seat	EPDM / NBR
7	Pin	Stainless Steel

*For other material request, please kindly contact CNBM directly.



Dimensions(mm)

Size		L	H1	H2	H3	DIN2501 PN16		Flange No	øN	øC1	n-ød2	Round	Square / Double D	
DN	NPS					øC	n-øD1					ød1	ød1	H
50	2"	108	110	80	30	125	4-18	F05	65	50	4-8	12.6	12.1	9
65	2-1/2"	112	134	80	30	145	4-18	F05	65	50	4-8	12.6	12.1	9
80	3"	114	131	95	30	160	8-18	F06	65	50	4-8	12.6	12.1	9
100	4"	127	150	114	30	180	8-18	F07	90	70	4-10	15.77	12.1	11
125	5"	140	170	113	30	210	8-18	F07	90	70	4-10	18.92	14.1	14
150	6"	140	180	139	30	240	8-22	F07	90	70	4-10	18.92	18.1	14
200	8"	162	210	175	37	295	12-22	F10	125	102	4-12	22.1	18.1	17
250	10"	165	245	203	37	355	12-26	F10	125	102	4-12	28.45	28.2	22
300	12"	178	276	242	37	410	12-26	F10	125	102	4-12	31.6	28.2	22
350	14"	190	328	280	45	470	16-26	F10	125	102	4-12	31.6	28.2	22
400	16"	216	376	277	51.2	525	16-30	F14	175	140	4-18	33.15	28.2	22
450	18"	222	406.6	295.2	51.2	585	20-30	F14	175	140	4-18	38	36.2	27
500	20"	229	448	330	64.2	650	20-33	F14	175	140	4-18	41.15	36.2	27
600	24"	267	518	420	70.2	770	20-36	F16	210	165	4-22	50.65	48.2	36
Size		L	H1	H2	H3	DIN2501 PN10		Flange No	øN	øC1	n-ød2	Round	Square / Double D	
DN	NPS					øC	n-øD1					ød1	ød1	H
700	28"	292	560	450	66	840	24-30	F25	300	254	8-18	55	60.2	46
800	32"	318	620	501	66	950	24-33	F25	300	254	8-18	55	60.2	46
900	36"	330	692	558	118	1050	28-33	F25	300	254	8-18	75	72.2	55
1000	40"	410	735	622	142	1170	28-36	F25	350	298	8-18	85	72.2	55
1200	48"	470	917	763	160	1390	32-39	F30	350	298	8-22	105	98.2	75

*For special stem head dimensions, please kindly contact CNBM directly.

Double Eccentric Butterfly Valve

Technical Data

Size	DN100-DN2000
General Design	EN 593
Mounting Pad	ISO 5211
Face to Face	EN 558-1 13 14 series
Flange Drilling	DIN 2501 PN10 / 16
Inspection and Test	EN 12266 / DIN 3230 Part 4

*For all available general design, face to face standard and flange drilling, please kindly contact CNBM directly.

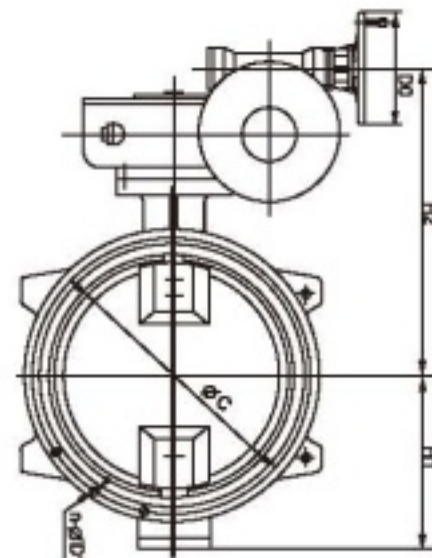
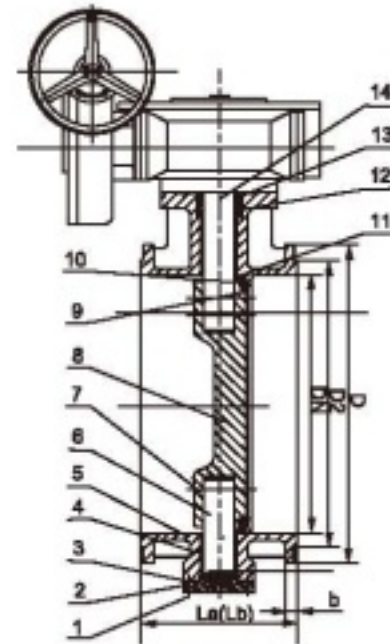
Product Features

- Double eccentric design disc may reduce friction of the sealing ring, and provide valve a long service life
- Rubber and graphite compounds disc ring can meet different application demands
- Overall weld body sealing
- Two pieces stem design, taper pin connection between disc and shaft, which can ensure positive vibration proof
- Universal ISO 5211 mounting pad

Materials of Parts

Parts	Description	Material
1	Bolt	Stainless Steel
2	End Cover	Ductile Iron
3	O-ring	EPDM
4	Bushing	Bronze
5	Body	Ductile Iron
6	Shaft	Stainless Steel
7	Disc Pin	Stainless Steel
8	Disc	Ductile Iron
9	Retaining Ring	Ductile Iron
10	Rubber Sealing	EPDM
11	Body Sealing	Stainless Steel
12	Stuffing	EPDM
13	Stuffing Box	Gunmetal
14	Shaft	Stainless Steel

*For other material request, please kindly contact CNBM directly.



Dimensions(mm)

Size		La	Lb	D	ØC	D2	b	n-ØD1	H1	H2	D0
DN	NPS										
100	4"	127	190	220	180	168	24	8-19	130	260	250
150	6"	140	210	285	240	212	26	8-23	150	279	250
200	8"	152	230	340	295	268	30	12-23	180	308	250
250	10"	165	250	405	355	320	32	12-28	210	351	250
300	12"	178	270	460	410	378	32	12-28	240	401	250
350	14"	190	290	520	470	438	36	16-28	280	440	350
400	16"	216	310	580	525	490	38	16-31	300	463	400
450	18"	222	330	640	585	548	40	20-31	335	508	400
500	20"	229	350	715	650	610	42	20-34	380	583	500
600	24"	267	390	840	770	725	48	20-36	440	673	500
700	28"	292	430	910	840	793	54	24-36	490	736	500
750	30"	318	470	975	900	844	54	24-36	530	790	500
800	32"	318	470	1025	950	900	58	24-39	570	822	500
900	36"	330	510	1125	1050	1000	62	24-39	625	935	500
1000	40"	410	550	1255	1170	1116	66	28-42	700	985	500
1100	44"	470	630	1355	1280	1218	66	32-43	760	1080	500
1200	48"	470	630	1485	1390	1330	66	32-49	820	1154	500
1400	56"	530	710	1685	1590	1530	66	36-49	920	1235	500
1600	64"	600	790	1930	1820	1750	70	40-56	1045	1415	500
1800	72"	670	870	2130	2020	1950	70	44-56	1170	1725	500
2000	80"	760	950	2345	2230	2150	75	48-62	1301	1684	500

*For special stem head dimensions, please kindly contact CNBM directly.

Other Types of Butterfly Valves



*CNBM Valve produces valves above but not limited. For other types of butterfly valves, please kindly contact CNBM directly.

Wafer Type Dual Plate Check Valve

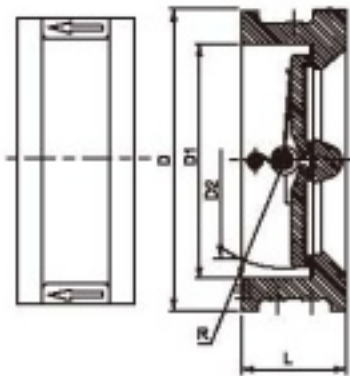
Technical Data

Size	DN40-DN800
Working Pressure	PN10 / 16
Face to Face	EN 558-1 T6 series
Flange Drilling	ANSI B16.1 Class125, EN 1092-2 PN10 / 16
Inspection and Test	API 598

*For all available general design, face to face standard and flange drilling, please kindly contact CNBM directly.

Product Features

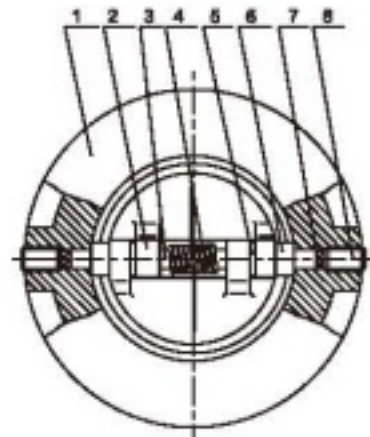
- Wafer body style fits between FF or RF flanges
- Upper and lower PTFE thrust washers
- Resilient Buna-N or EPDM seat
- Dual plate valves give maximum strength with minimum opening time
- Torsion springs assist valve closure, preventing flow reversal
- Thrust washers reduce friction and wear of valve plate hinges



Dimensions(mm)

Size		L	D		D1	D2	R
DN	NPS		DIN PN10	DIN PN16			
40	1-1/2"	33	78	78	57	/	25
50	2"	43	107	107	65	40	27
65	2-1/2"	46	127	127	80	60	35
80	3"	64	142	142	94	70	42
100	4"	64	162	162	117	88	50
125	5"	70	192	192	145	115	64
150	6"	76	218	218	171	134	77
200	8"	89	273	273	224	182	102.5
250	10"	114	328	328	265	220	125
300	12"	114	378	378	310	260	146
350	14"	127	438	444	360	298	170
400	16"	140	489	489	410	350	195
450	18"	152	539	555	450	385	215
500	20"	162	594	617	505	438	238
600	24"	178	696	734	624.5	538	292
700	28"	229	810	804	720	662	345
800	32"	241	917	911	825	762	394

*For other material request, please kindly contact CNBM directly.



Swing Check Valve

Technical Data

Size	DN40-DN600
Face to Face	DIN 3202 F6
Flange Drilling	EN 1092-2 PN16
Inspection and Test	ISO 5208

*For all available general design, face to face standard and flange drilling, please kindly contact CNBM directly. We can also produce ANSI, BS standard swing check valve.

Product Features

- Full port
- Bolted cover
- Suitable for both horizontal and vertical installation

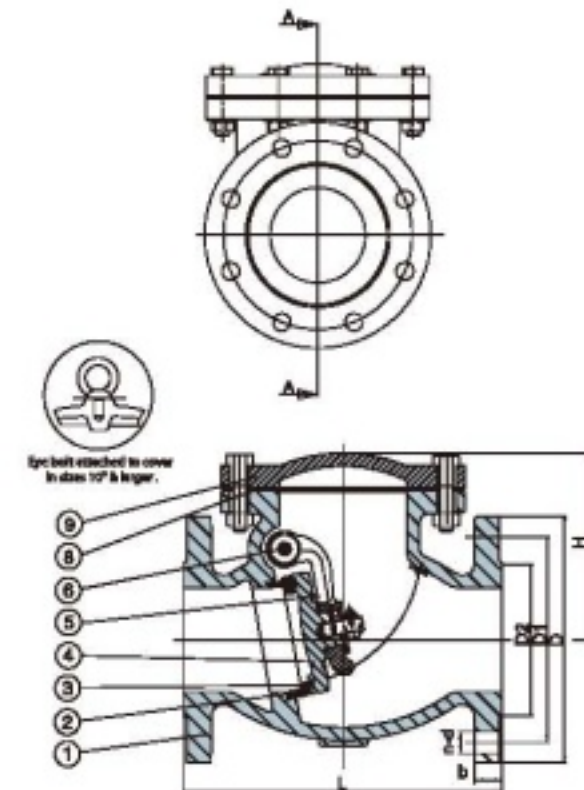
Materials of Parts

Parts	Description	Material
1	Body	GG25
2	Seat Ring	Brass
3	Disc Ring	Brass / EPDM
4	Disc	GG25
5	Hanger	GGG50
6	Hanger Pin	Stainless Steel
8	Cover Gasket	Graphite with Soft Steel
9	Cover	GG25

*For other material request, please kindly contact CNBM directly.

Dimensions(mm)

Size(DN)	L	D	D1	D2	b	n-d	H	W.(kg)
40	180	150	110	84	18	4-19	110	9
50	200	165	125	99	20	4-19	130	13.4
65	240	185	145	118	20	4-19	140	17.7
80	260	200	160	132	22	8-19	150	20.8
100	300	220	180	156	24	8-19	160	29.3
125	350	250	210	184	26	8-19	190	47
150	400	285	240	211	26	8-23	210	67
200	500	340	295	266	30	12-23	250	118.7
250	600	405	355	319	32	12-28	310	171.9
300	700	460	410	370	32	12-28	340	232.5
350	800	520	470	429	36	16-28	450	330
400	900	580	525	480	38	16-31	520	460
450	1000	640	585	548	40	20-31	550	580
500	1100	715	650	609	42	20-34	590	700
600	1300	840	770	720	48	20-37	680	780



↔ Lift Check Valve

Technical Data

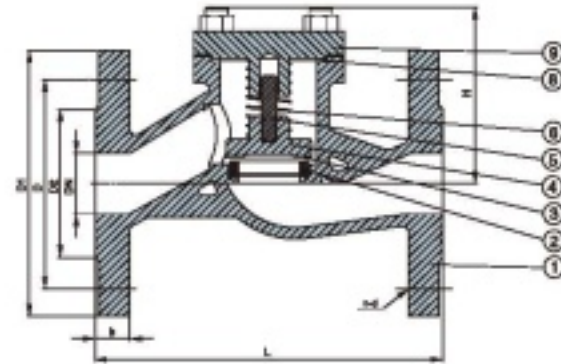
Size	DN15-DN300
Face to Face	DIN 3202 F1
Flange Drilling	EN 1092-2 PN16
Inspection and Test	ISO 5208

*For all available general design, face to face standard and flange drilling, please kindly contact CNBM directly.



Materials of Parts

Parts	Description	Material
1	Body	GG25
2	Seat Ring	Stainless Steel
3	Disc Ring	Brass / Stainless Steel
4	Disc	GG25 / Carbon Steel
5	Stern	Stainless Steel
6	Spring	Stainless Steel
8	Cover Gasket	Graphite with Soft Steel
9	Cover	GG25

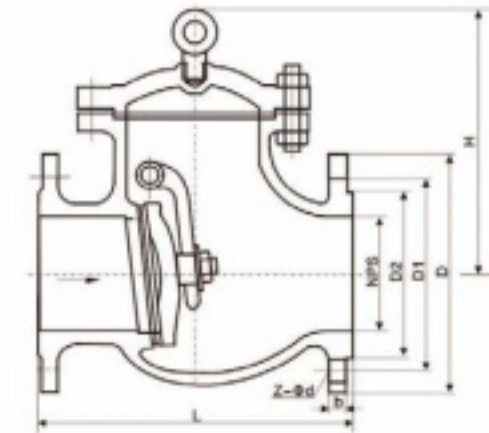


*For other material request, please kindly contact CNBM directly.

Dimensions(mm)

Size(DN)	L	D	D1	D2	b	n-d	H
15	130	95	65	45	14	4-14	73
20	150	105	75	58	16	4-14	83
25	160	115	85	68	16	4-14	85
32	180	140	100	78	18	4-18	92
40	200	150	110	88	18	4-18	97
50	230	165	125	102	20	4-18	102
65	290	185	145	122	20	4-18	121
80	310	200	160	138	22	8-18	149
100	350	220	180	158	24	8-18	162
125	400	250	210	188	26	8-18	183
150	480	285	240	212	26	8-22	214
200	600	340	295	268	30	12-22	274
250	730	405	355	320	32	12-26	310
300	850	460	410	378	32	12-26	357

↔ API Check Valve



Technical Data

Size	DN50-DN600
General Design	ASME B16.34
Face to Face	ANSI B16.10
Flange Drilling	ANSI B16.5
Inspection and Test	API 598

*For all available general design, face to face standard and flange drilling, please kindly contact CNBM directly.

Materials of Parts

Description	Material
Body & Bonnet & Disc	WCB / CF8 / CF8M
Hinge Pin	Stainless Steel
Seat Ring	Steel / PTFE / Nylon

*For other material request, please kindly contact CNBM directly.

Dimensions(mm)

Class	In	DN	L	D	D1	D2	b	Z-d	H	WT(kg)
150lb	2	50	203	157	120.7	92	19.5	4-19	161	17
	2-1/2	65	216	178	139.7	105	22.5	4-19	180	23
	3	80	241	190.5	152.4	127	24	4-19	190	33
	4	100	292	229	190.5	157.2	24	8-19	220	44
	6	150	356	279	241.5	216	25.5	8-22.5	257	78
	8	200	495	343	298.5	270	29	8-22.5	292	137
	10	260	622	406	362	324	30.5	12-25	350	207
	12	300	698	483	432	381	32	12-25	398	279
	14	350	787	533	476.8	413	35	12-29	445	387
	16	400	864	597	539.8	470	37	16-29	490	446

Dimensions(mm)

Class	In	DN	L	D	D1	D2	b	Z-Ød	H	WT(kg)
150Lb	18	450	978	635	577.8	533	40	16-32	520	621
	20	500	978	698	635	584	43	20-32	546	770
	24	600	1295	813	749.3	692	48	20-36	880	970
300Lb	2	50	267	165	127	92	22.5	8-19	179.5	20
	2-1/2	65	292	190	150	105	25	8-22	190	24
	3	80	318	210	168	127	29	8-22.5	212.4	40
	4	100	356	254	200	157	32	8-22.5	246	51
	6	150	445	317.5	269.7	216	37	12-22.5	292	90
	8	200	533	381	330	270	41.5	12-25.5	328	175
	10	250	622	444.5	387	324	48	16-28.5	378.6	210
	12	300	711	521	451	381	51	16-32	420	286
	14	350	838	584	514	413	54	20-32	470	400
	16	400	864	648	572	470	57	20-36	530	550
600Lb	2	50	292	165	127	92	25	8-19	203	34
	2-1/2	65	330	190	150	105	29	8-22	229	45
	3	80	356	210	168	127	32	8-22	235	63
	4	100	432	273	216	157	38	8-25	286	114
	6	150	559	356	292	216	48	8-29	330	207
	8	200	660	419	349	270	56	12-29	381	387
	10	250	787	508	432	324	64	12-32	457	580
	12	300	838	559	489	381	67	16-35	584	778
	14	350	889	603	527	413	70	20-38	635	869
	16	400	991	686	603	470	76	20-41	684	1380

Other Types of Check Valves



*CNBM Valve produces valves above but not limited. For other types of check valves, please kindly contact CNBM directly.

Non-rising Stem Resilient Seated Gate Valve

Technical Data

Size	DN40-DN800
General Design	DIN 3352
Face to Face	DIN 3202 F4
Flange Drilling	EN 1092-2 PN16
Inspection and Test	ISO 5208

*For all available general design, face to face standard and flange drilling, please kindly contact CNBM directly. We can also produce DIN 3352 F5, BS 5163, AWWA C509 / C515, etc.

Product Features

- Replaceable O-ring
- Low torque operation
- Rubber encapsulated wedge
- Clockwise closing direction
- Fusion bonded epoxy coated inside and outside

Materials of Parts

Parts	Description	Material
1	Body	GGG50
2	Wedge	GGG50+EPDM / NBR
3	Wedge Nut	Brass
4	Stem	Stainless Steel
5	Bonnet Gasket	EPDM / NBR
6	Bonnet	GGG50
7	Back Sealing O-ring	EPDM / NBR
10	O-ring	EPDM / NBR
13	Stuffing Nut	Brass

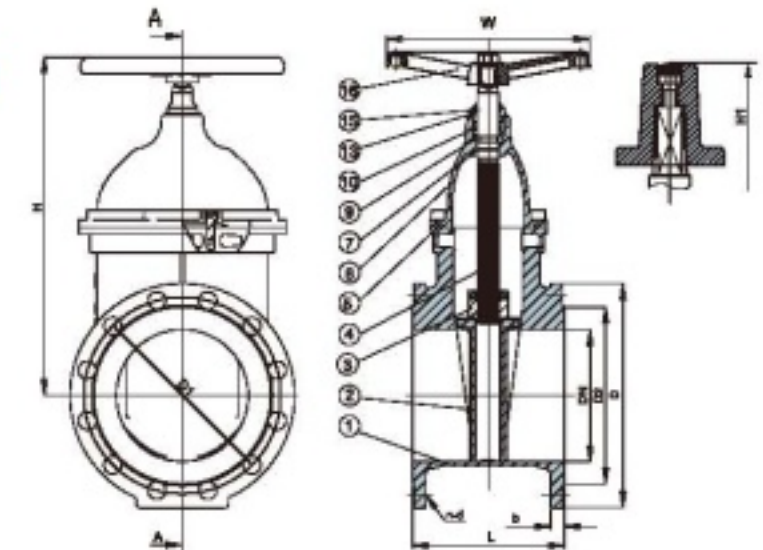
*For other material request, please kindly contact CNBM directly.

Optional Extras

- Stem cap
- Position Indicator
- Extension spindle / T key

Dimensions(mm)

Size(DN)	L	D	D1	D2	b	n-d	H	H1	W	W.T(kg)
40	140	150	110	84	19	4-19	240	310	160	9
50	150	165	125	99	19	4-19	250	320	160	11
60	170	175	135	108	19	4-19	265	335	180	14
65	170	185	145	118	19	4-19	265	335	180	14
80	180	200	160	132	19	8-19	300	370	200	17
100	190	220	180	156	19	8-19	350	420	200	21
125	200	250	210	184	19	8-19	410	480	220	29
150	210	285	240	211	19	8-23	450	520	250	38
200	230	340	295	266	20	12-23	550	620	280	58
250	250	405	355	319	22	12-28	650	720	320	90
300	270	460	410	370	24.5	12-28	710	780	350	120



Non-rising Stem Metal Seated Gate Valve

Technical Data

Size	DN40-DN600
General Design	DIN 3352
Face to Face	DIN 3202 F4
Flange Drilling	EN 1092-2 PN10
Inspection and Test	ISO 5208

*For all available general design, face to face standard and flange drilling, please kindly contact CNBM directly. We can also produce DIN 3352 F5, BS 5163, ANSI 125 / 150, etc.

Product Features

- Bolt bonnet
- Solid wedge disc
- Replaceable O-ring
- Clockwise closing direction
- Seat rings are pressed into wedge and body

Materials of Parts

Parts	Description	Material
1	Body	EN-GJL-250
2	Seat Ring	Brass
3	Wedge	EN-GJL-250
4	Wedge Ring	Brass
5	Wedge Nut	Brass
6	Stem	Stainless Steel
7	Bonnet Gasket	Graphite
9	Bonnet	EN-GJL-250
12	Stem Sealing	EPDM O-ring
13	Gland Flange	EN-GJL-250

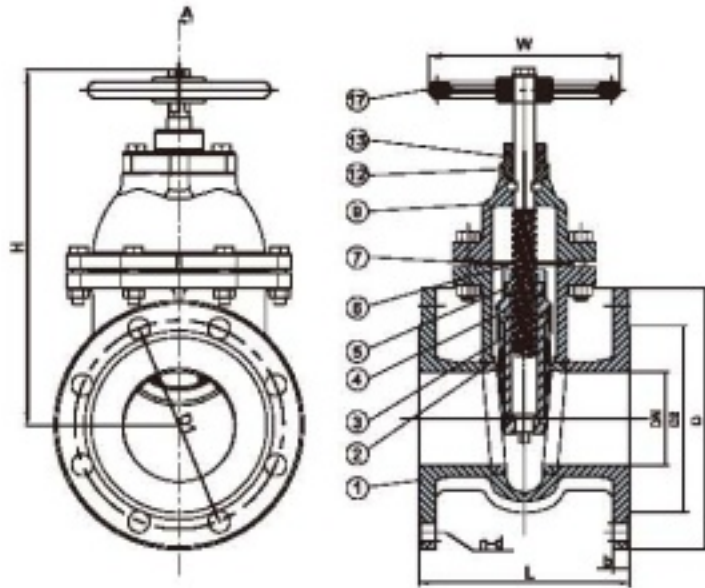
*For other material request, please kindly contact CNBM directly.

Optional Extras

- Position Indicator

Dimensions(mm)

Size(DN)	L	D	D1	D2	b	n-d	H	W	W.T(kg)
40	140	150	110	84	18	4-19	230	130	11
50	150	165	125	99	20	4-19	250	130	12
65	170	185	145	118	20	4-19	280	130	16
80	180	200	160	132	22	8-19	310	150	19
100	190	220	180	156	24	8-19	349	185	26
125	200	250	210	184	26	8-19	395	185	36
150	210	285	240	211	26	8-23	456	195	51
200	230	340	295	266	26	8-23	537	225	62
250	250	395	350	319	28	12-23	659	245	127
300	270	445	400	370	28	12-23	718	285	165
350	290	505	460	429	30	16-23	870	400	225
400	310	565	515	480	32	16-28	941	400	369.6
450	330	615	565	530	32	20-28	1204	640	426.8
500	350	670	620	582	34	20-28	1295	640	572
600	390	780	725	682	36	20-31	1478	640	809.6



Rising Stem Solid Wedge Gate Valve

Technical Data

Size	DN40-DN600
General Design	DIN 3352
Face to Face	DIN 3202 F4
Flange Drilling	EN 1092-2 PN10
Inspection and Test	ISO 5208

*For all available general design, face to face standard and flange drilling, please kindly contact CNBM directly. We can also produce DIN 3352 F5, BS 5150, ANSI 125 / 150, etc.

Product Features

- Bolt bonnet
- Solid wedge disc
- Outside screw and yoke
- Clockwise closing direction
- Graphite packing
- Seat rings are pressed into wedge and body

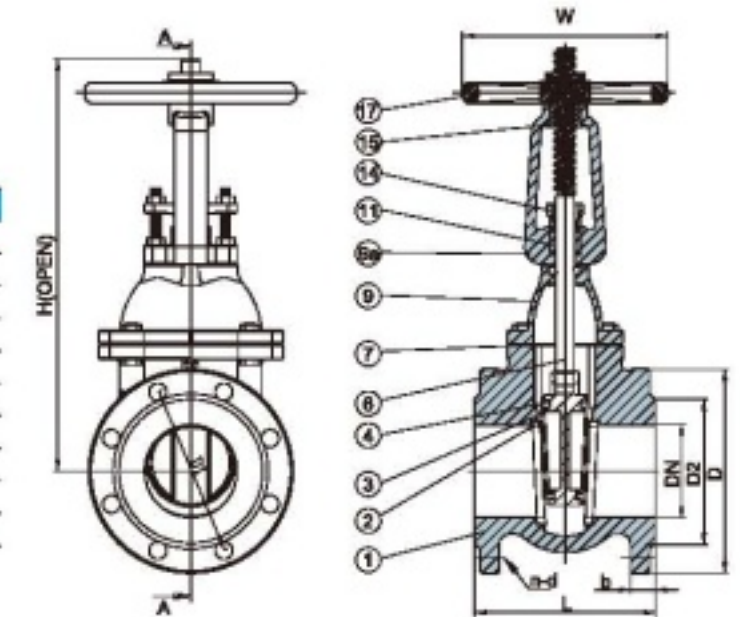
Materials of Parts

Parts	Description	Material
1	Body	EN-GJL-250
2	Seat Ring	Brass
3	Wedge	EN-GJL-250
4	Wedge Ring	Brass
6	Stem	Stainless Steel
7	Bonnet Gasket	Graphite
9	Bonnet	EN-GJL-250
9a	Yoke	EN-GJL-250
11	Packing	Graphite
14	Gland Follower	EN-GJL-500-7

*For other material request, please kindly contact CNBM directly.

Dimensions(mm)

Size(DN)	L	D	D1	D2	b	n-d	H(open)	W	W.T(kg)
40	140	150	110	84	18	4-19	340	180	13
50	150	165	125	99	20	4-19	354	180	14
65	170	185	145	118	20	4-19	390	180	18.5
80	180	200	160	132	22	8-19	435	200	25.1
100	190	220	180	156	24	8-19	545	200	32.3
125	200	250	210	184	26	8-19	625	250	44.6
150	210	285	240	211	26	8-23	750	280	59.2
200	230	340	295	266	26	8-23	980	300	88
250	250	395	350	319	28	12-23	1130	360	138
300	270	445	400	370	28	12-23	1330	400	177.6
350	290	505	460	429	30	16-23	1533	450	240
400	310	565	515	480	32	16-28	1905	450	420
450	330	615	565	530	32	20-28	2072	640	485
500	350	670	620	582	34	20-28	2302	640	650
600	390	780	725	682	36	20-31	2650	900	920



Socket Ends Non-rising Stem Resilient Seated Gate Valve

Technical Data

Size	DN50-DN300
General Design	DIN 3352 / SABS 664
Face to Face	DIN 3202 F5 / SABS 664
Inspection and Test	ISO 5208

*For all available general design, face to face standard, please kindly contact CNBM directly.

Product Features

- Bolt bonnet
- Replaceable O-ring
- Low torque operation
- Rubber encapsulated wedge
- Clockwise closing direction
- Fusion bonded epoxy coated inside and outside



Materials of Parts

Parts	Description	Material
1	Body	GGG50
2	Wedge	GGG50+EPDM / NBR
3	Wedge Nut	Brass
4	Stem	Stainless Steel
6	Bonnet	GGG50
7	Back Sealing O-ring	EPDM / NBR
10	O-ring	EPDM / NBR
13	Stuffing Nut	Brass
15	Gland Flange	GGG50

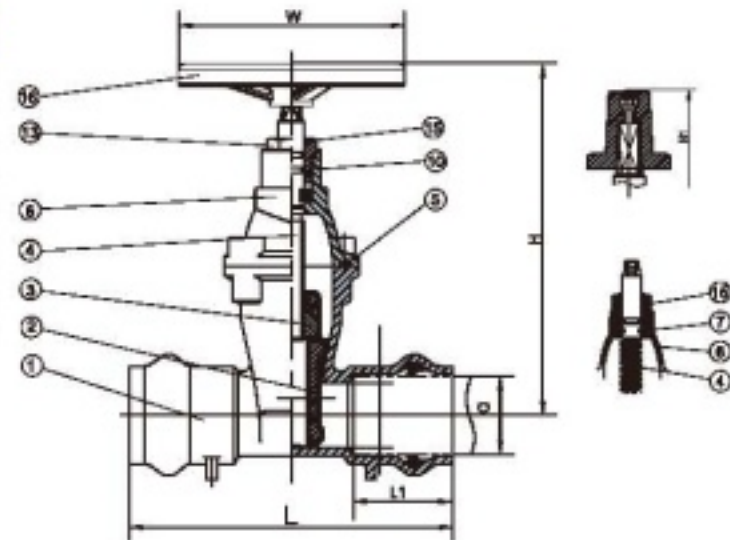
*For other material request, please kindly contact CNBM directly.

Optional Extras

- Stem cap
- Position Indicator
- Extension spindle / T key

Dimensions(mm)

Size(DN)	PIPE DIA. O	L		L1	H	H1	W	W.T(kg)	
		F5	SABS					F5	SABS
50	63	250	335	77	300	340	180	7.15	9.5
65	75	270	335	80	310	350	180	8.25	10.5
80	90	280	335	84	350	390	200	12.65	15
100	110	300	355	88	380	420	220	18.7	21
125	125	325	375	91	420	460	220	23.1	27.5
125	140	325	375	91	420	460	220	24.2	28
150	160	350	405	94	470	510	250	33	38
200	200	400	450	100	590	630	280	45.1	50
200	225	400	450	100	590	630	280	47.3	55
250	250	450	450	125	680	720	320	67.1	67.1
300	315	500	500	140	790	830	360	92.4	92.4



API Gate Valve

Technical Data

Size	DN50-DN900
General Design	API 600 / API 6D
Face to Face	ANSI B16.10
Flange Drilling	ANSI B16.5
Inspection and Test	API 598

*For all available general design, face to face standard and flange drilling, please kindly contact CNBM directly.

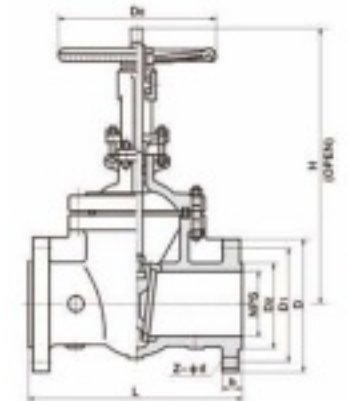
Materials of Parts

Description	Material
Body & Bonnet & Disc	WCB / CF8 / CF8M
Stem	Stainless Steel
Packing	Flexible Graphite / PTFE

*For other material request, please kindly contact CNBM directly.

Dimensions(mm)

Class	In	DN	Unit	L	H(open)	D	D1	D2	b	Z-2d	D0
2	50		In	7.00	16.10	6.00	4.75	3.62	0.75	4-0.75	8.00
			mm	178	409	152	120.5	92	19.1	4-19	200
3	80		In	8.00	20.00	7.50	6.00	5.00	0.94	4-0.75	10.00
			mm	203	570	90	152.5	127	23.9	4-19	250
4	100		In	9.00	23.20	9.00	7.50	6.19	0.94	8-0.75	10.00
			mm	229	590	229	190.5	157	23.9	8-19	250
6	150		In	10.50	24.80	11.00	9.50	8.50	1.00	8-0.88	12.00
			mm	267	630	279	241.5	216	25.4	8-22	300
8	200		In	11.50	37.80	13.50	11.75	10.62	1.21	8-0.88	3.88
			mm	292	960	343	298.5	270	28.5	8-22	350
10	250		In	13.00	45.60	16.00	14.25	12.75	1.19	12-1.00	15.70
			mm	330	1158	406	362	324	30.2	12-25	400
12	300		In	14.00	54.30	19.00	17.00	15.00	1.25	12-1.00	17.70
			mm	356	1378	483	432	381	31.8	12-25	450
14	350		In	15.00	60.75	21.00	18.75	16.25	1.38	12-1.12	19.70
			mm	381	1543	533	476.5	413	35	12-29	50
16	400		In	16.00	68.40	23.50	21.25	18.50	1.44	16-1.12	23.60
			mm	406	1738	597	539.5	470	36.6	16-29	600
18	450		In	17.00	74.10	25.00	22.75	21.00	1.56	16-1.25	23.60
			mm	432	1959	635	578	533	39.7	16-32	600
20	500		In	18.00	87.20	27.50	25.00	23.00	1.69	20-1.25	26.80
			mm	457	2214	698	635	584	42.9	20-32	680
24	600		In	20.00	102.30	32.00	29.50	27.25	1.88	20-1.38	29.90
			mm	508	2599	813	749.5	692	47.7	20-35	760
30	750		In	24.00	125.30	38.75	36.00	33.75	2.94	28-1.38	36.00
			mm	610	3183	985	914	857	74.5	28-35	915
36	900		In	28.00	147.00	46.00	42.75	40.25	3.56	32-1.62	36.00
			mm	711	3737	1170	1086	1022	90.5	32-41	915



Class	In	DN	Unit	L	H(open)	D	D1	D2	b	Z-Ød	D0
300Lb	2	50	In	8.50	16.70	6.50	5.00	3.62	0.88	8-0.75	8.00
			mm	216	424	165	127	92	22.3	8-19	200
	3	80	In	11.15	21.00	8.25	6.62	5.00	1.12	8-0.88	10.00
			mm	283	535	210	168	127	28.5	8-22	250
	4	100	In	12.00	24.20	10.00	7.88	6.19	1.25	8-0.88	10.00
			mm	305	615	254	200	157	31.8	8-22	250
	6	150	In	15.87	31.30	12.50	10.62	8.50	1.44	8-0.88	14.00
			mm	403	795	318	270	216	36.6	12-22	350
	8	200	In	16.50	39.90	15.00	13.00	10.62	1.62	12-1.0	15.70
			mm	419	1012	381	330	270	41.3	12-25	400
	10	250	In	18.00	48.54	17.50	15.25	12.75	1.88	16-1.12	17.70
			mm	457	1231	444	387.5	324	47.7	16-29	450
	12	300	In	19.75	57.00	20.50	17.75	15.00	2.00	16-1.25	19.70
			mm	502	1450	521	451	381	50.8	16-32	500
	14	350	In	30.00	64.80	23.00	20.25	16.25	2.12	20-1.25	23.60
			mm	762	1645	584	514.5	413	54	20-32	600
	16	400	In	33.00	72.50	25.50	20.25	18.50	2.25	20-1.38	23.60
			mm	838	1814	648	571.5	470	57.2	20-35	600
	18	450	In	36.00	76.50	28.00	24.75	21.00	2.38	24-1.38	26.80
			mm	914	1943	711	628.5	533	60.4	24-35	680
	20	500	In	39.00	84.80	30.50	27.00	23.00	2.50	24-1.38	38.00
			mm	991	2154	775	686	584	63.5	24-35	760
	24	600	In	45.00	100.50	36.00	32.00	27.25	2.75	24-1.62	36.00
			mm	1143	2553	914	813	692	69.9	24-41	915

DIN Globe Valve

Technical Data

Size	DN15-DN300
General Design	DIN 3356
Face to Face	DIN 3202 F1
Flange Drilling	DIN 2533 PN16
Inspection and Test	ISO 5208

*For all available general design, face to face standard and flange drilling, please kindly contact CNBM directly. We can also produce DIN Angle globe valve, ANSI and BS globe valve.



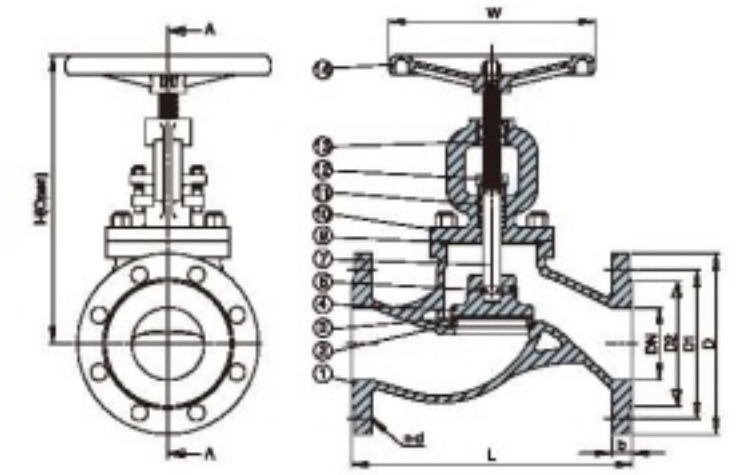
Product Features

- Bolt bonnet
- Clockwise closing direction
- Graphite packing
- Seat rings are pressed into body

Materials of Parts

Parts	Description	Material
1	Body	GG25
2	Seat Ring	Stainless Steel / Brass
3	Disc-ring	Stainless Steel / Brass
4	Disc	GG25 / Carbon Steel
7	Stem	Stainless Steel
9	Bonnet Gasket	Graphite with Soft Steel
10	Bonnet	GG25
11	Packing	Graphite

*For other material request, please kindly contact CNBM directly.



Other Types of Gate Valves



*CNBM Valve produces valves above but not limited. For other types of gate valves, please kindly contact CNBM directly.

Dimensions(mm)

Size(DN)	L	D	D1	D2	b	n-d	H(open)	W	W.T(kg)
15	130	95	65	45	14	4-14	200	120	3.4
20	150	105	75	58	16	4-14	220	120	4.7
25	160	115	85	68	16	4-14	225	120	5.1
32	180	140	100	78	18	4-18	250	120	7.6
40	200	150	110	88	18	4-18	270	160	9.5
50	230	165	125	102	20	4-18	290	200	13.7
65	290	185	145	122	20	4-18	320	200	18.5
80	310	200	160	138	22	8-18	365	200	22.1
100	350	220	180	158	24	8-18	410	240	34
125	400	250	210	188	26	8-18	460	240	47.8
150	480	285	240	212	26	8-22	525	280	65.9
200	600	340	295	268	30	12-22	685	360	128.8
250	730	405	355	320	32	12-26	830	400	196
300	850	460	410	378	32	12-26	925	450	245

API Globe Valve

Technical Data

Size	DN15-DN200
General Design	ASME B16.34
Face to Face	ANSI B16.10
Flange Drilling	ANSI B16.5
Inspection and Test	API 598

*For all available general design, face to face standard and flange drilling, please kindly contact CNBM directly.

Materials of Parts

Description	Material
Body & Bonnet & Disc	WCB / CF8 / CF8M
Stem	Stainless steel
Packing	Flexible graphite / PTFE

*For other material request, please kindly contact CNBM directly.

Dimensions(mm)

Class	In	Unit	L	D	D1	D2	b	Z-Ød	D0	H	WT(kg)
150lb	1/2	In	4.25	3.50	2.38	1.38	0.47	4-0.59	4.92	6.65	3.80
		mm	108	90	60.5	35	12	4-15	125	169	
	3/4	In	4.61	3.86	2.76	1.69	0.47	4-0.59	4.92	7.08	4.20
		mm	117	98	70	43	12	4-15	125	180	
	1	In	5.00	4.25	3.13	2.00	0.47	4-0.59	4.92	7.48	8.00
		mm	127	108	79.5	51	12	4-15	125	190	
	1-1/2	In	6.50	5.00	3.88	2.87	0.56	4-0.62	7.09	13.66	13.00
		mm	165	127	98.5	73	14.3	4-16	180	347	
	2	In	8.00	6.00	4.75	3.62	0.63	4-0.75	7.09	14.00	21.00
		mm	203	152	120.5	92	15.9	4-19	180	356	
	2-1/2	In	8.50	7.00	5.50	4.12	0.69	4-0.75	9.45	15.00	30.00
		mm	216	178	139.5	106	17.5	4-19	240	381	
	3	In	9.50	7.50	6.00	5.00	0.75	4-0.75	11.02	16.25	41.00
		mm	241	190	152.4	127	19.1	4-19	280	13	
	4	In	11.50	9.00	7.50	6.19	0.94	8-0.75	11.02	19.68	64.00
		mm	292	229	190.5	157	24	8-19	280	500	
6	In	16.00	11.00	9.50	8.50	1.00	8-0.88	14.17	22.25	113.00	
	mm	406	279	241.5	216	25.4	8-22	360	656		
8	In	19.50	13.50	11.75	10.62	1.12	8-0.88	17.75	26.00	190.00	
	mm	495	343	298.5	270	29	8-22	450	660		



API Ball Valve

Technical Data

Size	DN15-DN600
General Design	API 608 / API 6D
Face to Face	ANSI B16.10
Flange Drilling	ANSI B16.5
Inspection and Test	API 598

*For all available general design, face to face standard and flange drilling, please kindly contact CNBM directly.

Materials of Parts

Description	Material
Body & Bonnet & Disc	WCB / CF8 / CF8M
Stem	WCB / Stainless Steel
Seat	PTFE / Nylon

*For other material request, please kindly contact CNBM directly.

Dimensions(mm)

CLASS 150

In	d	L	Welding	H1	H2	W	M	K	D2	D1	D	N-Ø	b	f	WT(kg)	Remark
1/2	13	108	-	-	59	130	-	-	35	60.5	89	4-16	11.2	1.6	2.3	Float Ball
3/4	19	117	-	-	63	130	-	-	43	70	98	4-16	11.2	1.6	3	
1	25	127	-	-	75	160	-	-	51	79.5	108	4-16	11.2	1.6	4.5	
1-1/2	38	165	190	-	95	230	-	-	73	98.5	127	4-16	14.3	1.6	7	Float Ball
2	51	178	216	-	107	230	-	-	92	120.5	152	4-19	15.9	1.6	9.5	
2-1/2	61	190	241	-	142	400	-	-	105	139.5	178	4-19	17.5	1.6	15	Fixing Ball / Float Ball
3	76	203	283	-	152	400	-	-	127	152.5	190	4-19	19.1	1.6	19	
4	102	229	306	-	178	700	-	-	157	190.5	229	8-19	23.9	1.6	33	
5	127	356	-	-	252	1100	-	-	186	216	254	8-22	23.9	1.6	58	
6	152	394	457	-	272	1100	-	-	216	241.5	279	8-22		1.6	93	
8	203	457	521	-	342	1500	-	-	270	298.5	343	8-22	28.6	1.6	160	
10	254	533	599	335	495	600	115.5	350	324	362	406	12-25	30.2	1.6	240	Fixing Ball
12	305	610	635	385	580	800	171	420	381	431.8	482.6	12-25	31.8	1.6	390	
14	337	686	762	430	625	800	171	420	412.8	476	535	12-29	35	1.6	510	
16	387	762	838	470	720	800	257	400	469.9	539.5	597	16-29	36.6	1.6	750	
20	489	914	991	590	840	800	257	400	584.2	635	698	20-32	42.9	1.6	1190	
24	591	1067	1143	700	1050	800	150	410	692.2	749.5	813	20-35	47.8	1.6	2100	

CLASS 300

In	d	L	Welding	H1	H2	W	M	K	D2	D1	D	N-Ø	b	f	WT(kg)	Remark
1/2	13	140	-	-	59	130	-	-	35	66.5	95	4-16	14.2	1.6	2.5	Float Ball
3/4	19	152	-	-	63	130	-	-	43	82.5	117	4-19	15.9	1.6	3.5	
1	25	165	-	-	75	160	-	-	51	89	124	4-19	17.5	1.6	5.5	
1-1/2	38	190	190	-	95	230	-	-	73	114.5	156	4-22	20.7	1.6	10.5	Float Ball
2	51	216	216	-	107	230	-	-	92	127	165	8-19	22.3	1.6	14.5	
2-1/2	61	241	241	-	142	400	-	-	105	149	190	8-22	25.4	1.6	23.5	Fixing Ball / Float Ball
3	76	283	283	-	152	400	-	-	127	168	210	8-22	28.6	1.6	30	
4	102	305	305	-	178	700	-	-	157	200	254	8-22	31.8	1.6	55	
5	127	361	-	-	252	1100	-	-	186	235	279	8-22	35	1.6	81	
6	152	403	457	-	272	1100	-	-	216	270	318	12-22	36.5	1.6	118	



Other Types of Globe Valves



*CNBM Valve produces valves above but not limited. For other types of globe valves, please kindly contact CNBM directly.

In	d	L	Welding	H1	H2	W	M	K	D2	D1	D	N-Ø	b	f	WT(kg)	Remark
8	203	602	521	-	342	1600	-	-	270	330	381	12-25	41.3	1.6	200	Rising Ball
10	254	568	559	335	495	600	115.5	350	324	387.5	444	16-29	47.7	1.6	365	
12	305	648	635	385	580	800	171	420	381	451	520.8	16-32	50.8	1.6	530	
14	337	762	762	430	625	800	171	420	412.8	514.5	584.2	20-32	53.8	1.6	740	
16	387	838	838	470	720	800	257	400	469.9	571.5	647.8	20-35	57.2	1.6	1030	
20	489	991	991	590	840	800	257	400	584.2	685.8	774.8	24-36	63.5	1.6	1540	
24	591	1143	1143	700	1050	800	150	410	692.2	812.8	914.4	24-41	69.8	1.6	2600	

CLASS 600

In	d	L	Welding	H1	H2	W	M	K	D2	D1	D	N-Ø	b	f	WT(kg)	Remark
1/2	13	165	165	-	59	160	-	-	35	66.5	95	4-15	14.3	6.4	7.5	Rising Ball / Float Ball
3/4	19	190	190	-	63	160	-	-	43	82.5	117	4-19	15.9	6.4	10.5	
1	25	216	216	-	75	230	-	-	51	89	124	4-19	17.5	6.4	14.5	
1-1/2	38	241	241	-	95	400	-	-	73	114.5	156	4-22	22.3	6.4	18.5	
2	51	292	292	-	107	700	-	-	92	127	165	8-19	25.4	6.4	25	Rising Ball / Float Ball
3	51	356	356	-	169	700	-	-	127	168.5	210	8-22	25.4	6.4	25	
4	102	432	432	-	178	1100	-	-	157.2	216	273	8-25	38	6.4	76	Rising Ball
6	152	559	559	250	300	600	116	350	216	292	355.6	12-29	47.2	6.4	127	
8	203	660	660	294	374	800	171	400	269.8	342	419.5	12-29	55.7	6.4	350	
10	254	787	787	370	445	800	171	420	324	431.8	506	16-32	63.5	6.4	660	
12	305	838	838	420	515	800	257	400	381	489	559	20-35	66.5	6.4	820	
14	337	889	889	460	550	800	257	400	413	527	603.2	20-35	69.8	6.4	1130	
16	387	991	991	505	615	800	257	400	470	603.2	686	20-39	76.2	6.4	1550	
20	489	1194	1194	630	810	800	150	410	584.2	724	818	24-44	89	6.4	2800	
24	591	1397	1397	625	1010	800	83	650	692.2	838.2	940	24-51	101.6	6.4	5300	

CLASS 900

In	d	L	Welding	H1	H2	W	M	K	D2	D1	D	N-Ø	b	f	WT(kg)	Remark
2	47	368	368	160	-	400	-	-	92	165.1	216	8-26	38.5	6.4	32	Rising Ball / Float Ball
2-1/2	57	419	419	180	-	400	-	-	105	190.5	244	8-29	41.5	6.4	42	
3	73	381	381	240	-	600	-	-	127	190.5	241	8-26	38.5	6.4	64	
4	98	457	457	290	-	600	-	-	157	234.9	292	8-32	44.5	6.4	122	
6	146	610	610	385	385	600	116	350	216	317.5	381	12-32	56	6.4	267	
8	190	737	737	430	430	800	171	400	270	393.7	470	12-39	63.5	6.4	521	
10	234	838	838	475	475	800	171	420	324	469.9	545	16-39	70	6.4	773	
12	282	965	965	530	530	800	257	400	381	533.4	610	20-39	79.5	6.4	1118	
14	311	1029	1029	610	610	800	257	400	413	558.8	640	20-42	86	6.4	1218	
16	354	1130	1130	685	685	800	257	400	470	615.9	705	20-46	89	6.4	1646	

Other Types of Ball Valves



*CNBM Valve produces valves above but not limited. For other types of ball valves, please kindly contact CNBM directly.

Y Strainer

Technical Data

Size	DN15-DN500
Face to Face	DIN 3202 F1
Flange Drilling	EN 1092-2 PN16
Inspection and Test	ISO 5208

*For all available general design, face to face standard and flange drilling, please kindly contact CNBM directly. We can also produce ANSI, AS Y strainer.

Product Features

- Y-pattern
- Stainless steel screen
- Bolted cover
- Flanged ends
- FBE coated

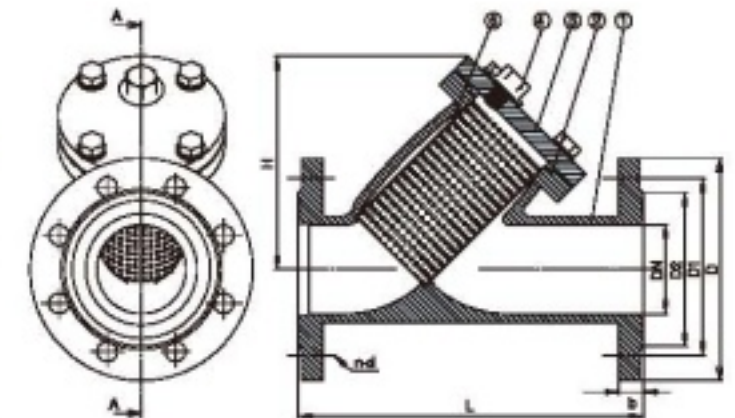
Materials of Parts

Parts	Description	Material
1	Body	GG25 / GGG50
2	Cover Gasket	Graphite with Soft Steel / EPDM / NBR
3	Cover	GG25 / GGG50
4	Plug	Zinc Steel BSPT
5	Bolt & Nut	Galvanized Flat Head Bolt / Galvanized Stud Bolt / Stainless Steel
6	Screen	SS Wire Screen / SS Perforated Mesh

*For other material request, please kindly contact CNBM directly.

Dimensions(mm)

Size(DN)	L	D	D1	D2	b	n-d	H	Plug	W.T(kg)
15	130	95	65	46	14	4-14	65	1/4"	2
20	150	105	75	56	16	4-14	70	1/4"	2.3
25	160	115	85	65	16	4-14	80	1/4"	3.2
32	180	140	100	76	18	4-19	90	1/4"	5
40	200	150	110	84	18	4-19	135	1/2"	6.5
50	230	165	125	99	20	4-19	150	1/2"	8.7
65	290	185	145	118	20	4-19	160	1/2"	12
80	310	200	160	132	22	8-19	200	1/2"	19
100	350	220	180	156	24	8-19	240	1/2"	27
125	400	250	210	184	26	8-19	290	3/4"	40
150	480	285	240	211	26	8-23	330	3/4"	58
200	600	340	295	266	30	12-23	380	3/4"	86
250	730	405	355	319	32	12-28	480	1"	127
300	850	460	410	370	32	12-28	550	1"	200
350	980	520	470	429	36	16-28	680	2"	320
400	1100	580	525	480	38	16-31	780	2"	420
450	1200	640	585	548	40	20-31	830	2"	620
500	1250	715	650	609	42	20-34	910	2"	780



Automatic Air Valve Double Ball & Single Ball Type

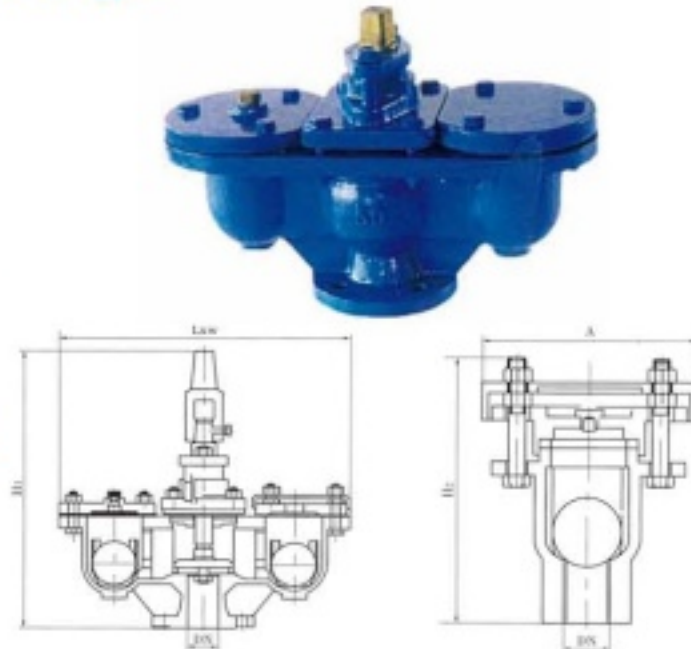
Technical Data

Size	DN25-DN200
Flange Drilling	DIN / BS / JIS / ANSI, etc.
Thread	BS / DIN / JIS / ANSI, etc.

*For all available general design, flange drilling and thread, please kindly contact CNBM directly.

Test

Working Pressure	PN10 / PN16	Class 125 / 150
Shell Pressure	PN15 / PN24	300PSI
Seat Pressure	PN11 / PN17.6	200PSI



Materials of Parts

Parts	Description	Material
1	Body	Cast Iron / Ductile Iron
2	Cover	Cast Iron / Ductile Iron
3	Float Ball	NBR / Stainless Steel
4	Spindle	Stainless Steel / Brass

*For other material request, please kindly contact CNBM directly.

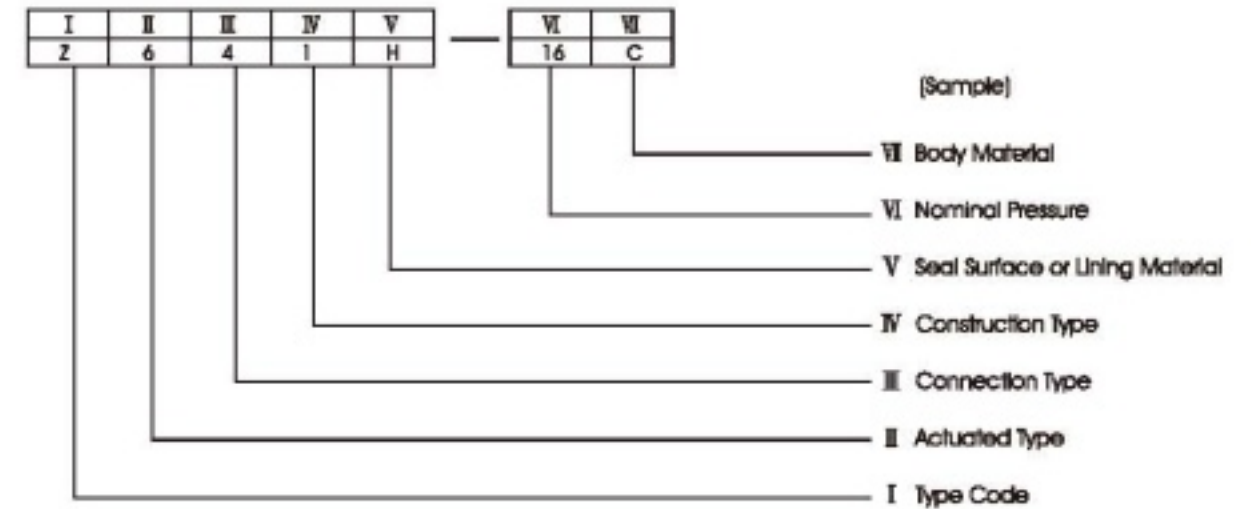
Dimensions(mm)

Size(DN)	25	50	80	100	150	200
H1	-	454	454	540	710	800
L	-	268	504	555	742	850
W	-	184	200	236	285	340
A	152	180	-	-	-	-
H2	188	210	-	-	-	-

Other Types of Valves



*CNBM Valve produces valves above but not limited. For other types of valves, please kindly contact CNBM directly.



Code	0	1	2	3	4	5	6	7	8	9
II - Actuated Type	Electro-magnetic	Electro-hydraulic	Electrical-hydraulic	Gear	Spur gear	Angle gear	Pneumatic	Hydraulic	Pneumatic-hydraulic	Electrical
III - Connection	-	Inside screw	Outside screw	-	Flange	-	Welding	Welder	Union ring	Compression joint

I - Type Code	IV - Construction Type									
	Rising stem					Non-rising stem				
Gate Valve Z	Wedge type		Parallel type			Wedge type		Parallel type		
	Flexible	Rigid disc	Single	Double	Single	Double	Single	Double	Single	Double
Globe Valve J	-	Through way	Z-type	Tee	Angled	Straight flow	Balance type			
Throttle Valve L	-	Through way	-	-	-	-	Through way	Right-angled	-	-
Piston Valve U	-	-	-	-	-	-	-	-	-	-
Ball Valve Q	Half-ball through way	Floating type					Turn-on-mounted			
		Through way	Y-pattern tee	-	Tee		Four-way	Through way	Tee	
Butterfly Valve D	Non-seal tri-eccentric	Seal type					Non-seal type			
		Center line type	Single-eccentric	Bi-eccentric	Link mechanism	Tri-eccentric	Center line type	Bi-eccentric	Link mechanism	Tri-eccentric
Diaphragm Valve G	-	Wet type	-	Globe type	-	Y-pattern	Through way type	-	Y-pattern angle type	-
Plug Valve X	-	-	-	Packing seal		Lubricate seal				
				Through way type	T-pattern tee	Four-way type	-	Through way type	Tee T-type	-
Check Valve H	-	Lift type			Swing type			Rotary type		Globe check
		Th.way	Vertical type	Angle type	Single-plate	Double disc	Multi-disc	Butterfly	-	-

VI - Nominal Pressure: The data of nominal diameter is expressed as ten times of MPa valve. It will mark working pressure when medium temperature over 42°C and be used in power station.

V - Seat seal surface or lining material	Code	V - Seat seal surface or lining material	Code
Babbitt metal	B	Nylon plastic	N
Enamel	C	Boronizing steel	P
Nitrided steel	D	Lead lining	Q
Fluoroplastics	F	Mo2Ti series SS	R
Ceramic metal	G	Plastic	S
Cr13 series SS	H	Copper alloy	T
Rubber lined	J	Rubber	X
Monel metal	M	Stellite	Y

Remark:
 1. Code "W" means the material of seat surface is the same as body.
 2. Low hardness material code is marked when seal surface material is different except diaphragm valve.

VI - Body material	Code	VI - Body material	Code
Titanium & titanium alloy	TI	Spheroidal cast iron	Q
Carbon steel	C	Mo2Ti series SS	R
Cr13 series SS	H	Plastic	S
Cr-Mo steel	I	Copper & Copper Alloy	T
Malleable iron	K	Cr-Mo-V steel	V
Aluminum alloy	L	Gray cast iron	Z
18-8 series SS	P	18-8-Moss	RL
18-8 series SS	PL	-	-

Remark:
 1. It omits the code when body material is gray cast iron (PN≤1.6MPa).
 2. CF3, CF8, CF3M, CF8M, etc material code can be marked on the body directly.